

## 6 Jansonia Avenue, MARGARET rIVER

### Property Details

### FOR SALE

#### 6 Jansonia Avenue, MARGARET RIVER



FUNKY FLOOR PLAN

3  2  2 

Positioned in Brookfield Estate on an elevated corner block with the benefit of side access, this property allows plenty of room for a shed, small boat, caravan or trailer.

As you enter through the front door you will be surprised with what you find inside. This beautifully decorated family home boasts three large bedrooms, two bathrooms featuring a gorgeous modern functional kitchen, overlooking the living area with sliding door access out to the alfresco area & backyard. The main bedroom is situated to the rear of the home with a large walk-in robe, ensuite plus its very own private alfresco area. off the dining area is the media/theatre room which is perfect to convert into an adults retreat.

Situated to the front of the home are the two minor bedrooms which are very spacious and feature built in robes, carpets, venetians and are serviced by the main bathroom. The property features a double carport with remote control door and direct access into the home. Fully insulated with a 6 star rating, the HWS is gas instantaneous, the gardens are fully landscaped and fenced.

- 3 Bedrooms
- 2 Bathrooms
- 2 Toilets
- 2 Garages
- 2 Living Areas
- Remote Garage
- Secure Parking
- Outdoor Entertaining
- Fully Fenced
- Built In Robes
- Dishwasher

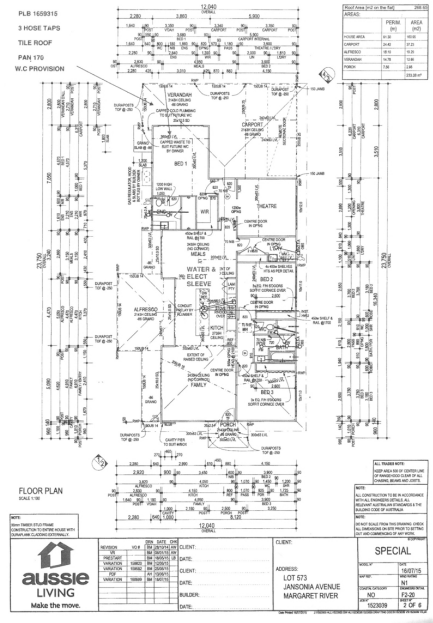
---

**\$385,000**

## Photo Gallery







Want to see more of  
**6 Jansonia Avenue, MARGARET RIVER?**

[email Megan Booth](mailto:megan.booth@aussieliving.com.au)

or call her on 0427 480 745  
 to arrange an inspection.

## Property Location

6 Jansonia Avenue, MARGARET RIVER

**510 sqm**



## Your Agent



### Megan Booth

m: 0427 480 745

e: [megan@margaretriverrealestate.com.au](mailto:megan@margaretriverrealestate.com.au)

Possessing a high level of professionalism and enthusiasm, Megan is highly regarded for her tenacious drive and outgoing nature. Coupled with her extensive local residential property market knowledge, Megan is also recognised as being a First National rural specialist.

**Megan is the exclusive selling agent for 6 Jansonia Avenue, so if you have any queries please don't hesitate to [email her](mailto:megan@margaretriverrealestate.com.au) or call her on 0427 480 745.**

## Recent feedback from some of Megan's clients...

*Megan was so friendly and helpful guiding my partner and I through the purchase of our first home. No question was too stupid or small, and she was happy to share her guidance and knowledge whenever we needed. If you want to feel like someone you've known for a long time is helping you buy a house, then look no further!*

- G Russell

---

Megan Booth is a wonderful agent to work with. She is diligent, trustworthy and down to earth. I would highly recommend Megan to anyone wanting to sell their home.

First national Margaret river has been a pleasure to deal with through the process of selling and buying properties.

- A Barnett

---

*Megan was an exceptional real estate agent for us! As it was our first purchase, she was able to guide us through the purchase in a professional and helpful manner. Megan was always available to answer our questions and made the entire process easy. After the sale went through, she checked in on us to ensure we were comfortable in the house. Excellent service, Thanks!*

- G Owens and M Bubic

---



[Read our Google Reviews](#)

## Our Agency



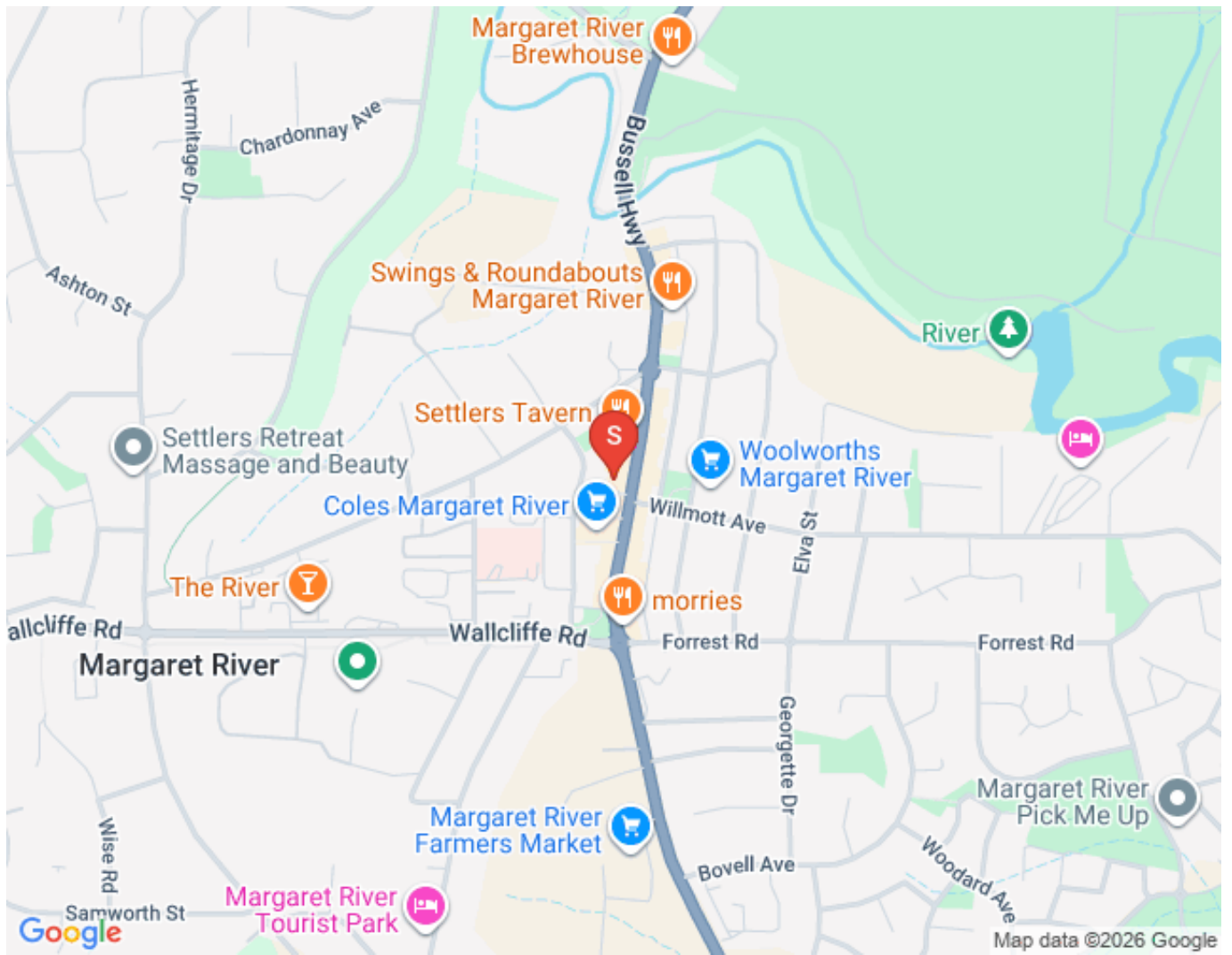
### Margaret River Real Estate First National

Margaret River Real Estate First National is the first choice for the most advanced real estate services. We sell, rent and manage land and residential, lifestyle, rural, industrial, and commercial property in the heart of the south west Capes of Western Australia. We are dedicated to delivering an exceptional experience from our Margaret River office, so every member of our team strives to make a difference.

From the initial contact, right through the entire buying or selling process, our property consultants and specialist team of administrative and marketing professionals will be by your side every step. If you've been waiting for the ideal time to buy, sell or lease property...it's now. Let us show you why!

...and whether you choose Margaret River Real Estate First National to **buy, sell, rent or manage** your property, you can be sure we'll offer you carefully tailored solutions, the highest level of professionalism and the most experienced, highly regarded real estate agents and property managers in Margaret River.

***We aim to get you better results, faster.***



## Around the Area

### The Margaret River Region



Margaret River is one of Western Australia's best tourist draw cards as it is world renowned for its winemaking, spectacular surf breaks and coastal scenery. Towering forests and picturesque vineyards provide scenic delight above ground whilst magnificent limestone caves form unique beauty underground. Located just 300 kilometres south of Perth, Margaret River is a holiday destination that is accessible to all and each year, some 1,500,000 overnight visitors embrace the diversity of this surfing, scenic wine growing region. The Augusta Margaret River region is enriched with wide range of cultures, characters and activities and supports a local population of approximately 15,000, making it one of the fastest growing shires in Australia.

Margaret River Real Estate sells in nine areas of the region and each one of these areas is unique in its characteristics and appeal. To find out more about these regions, click on these links to see the lifestyle opportunities and property styles they offer, as well as other properties for sale in their vicinity:

[MARGARET RIVER - The Heart of the South West Capes](#)

[PREVELLY - Where the River Meets the Ocean](#)

[GNARABUP - Overlooking the Indian Ocean](#)

[COWARAMUP - Full of Country Charm](#)

[WITCHCLIFFE - Gateway to the South](#)

[ROSA GLEN & ROSA BROOK & FOREST GROVE - Inland Rural Living](#)

[GRACETOWN - On the Coast at Cowaramup Bay](#)

[KARRIDALE - On the Edge of the Forest](#)

[HAMELIN BAY - Overlooking Pristine Coastline](#)

## Schools in the Area



There are eight primary schools within the Margaret River High School catchment area, four of them being in the actual townsite of Margaret River and the others being in Cowaramup, Karridale, Augusta and Forest Grove.

Click on [this link](#) to see the exact locations of all of these schools.

Catchment areas for Margaret River Primary School and Rapids Landing Primary school fall within specific street boundaries in the Margaret River area, so it may be useful to click on their boundary locations as this may affect your choice of property to buy.

[Catchment Area for Margaret River Primary School](#)

[Catchment Area for Rapids Landing Primary School](#)

## Helpful Information

**Buying a home is about the biggest financial commitment you'll ever have to make, so just as well it's one of the things in life that DOES come with guidebooks!**

As much as buying a home is an exciting turning point in your lifestyle, you certainly don't want to make any mistakes. Our Home Buyer's Guide is exactly what you need to get prepared and secure your perfect home, as soon as you find it. This Guide outlines how to find the home of your dreams, how to finance it, negotiate and secure the purchase and how to prepare to move in.

**Please use the following link for a readable and printable PDF file:**

[Home Buyer's Guide](#)



Perhaps you are considering purchasing a property for investment purposes and want to maximise your capital return by securing rental income throughout the life of your investment. Our Property Management Guide outlines all the issues you need to consider when making this decision.

**Please use the following link for a readable and printable PDF file:**

[Investing in Property](#)



If you are seriously considering an investment property, leave all the rental management to our award winning Property Management team!

**Please use the following link for a readable and printable PDF file to see how we can manage your property with ease:**

[Manage your Property with Margaret River Real Estate](#)

**“We’re the KEY to  
Managing Your Home.”**



**first  
national**  
REAL ESTATE | Margaret River



## Our Website

Click [here](#) to view 6 Jansonia Avenue and similar properties on our website.

